

Barby + Kühner

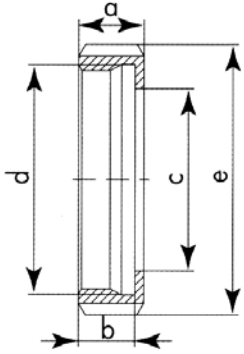
since 1906

Mess- und Regeltechnik



Kleinteile Fittings

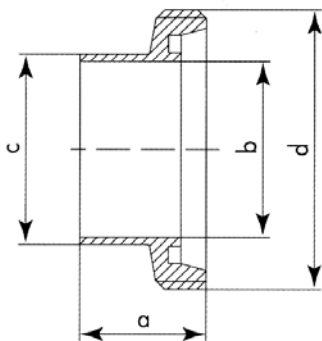
slotted nut 98000



- made of stainless steel
- milk-pipe-fitting
- according to DIN 11851 and DIN 228

Article-no.	execution	a	b	c	d	e
0298100	DN 10	18	15	19	28 x 1/8"	38
0298101	DN 15	18	15	25	34 x 1/8"	44
0298102	DN 20	20	17	31	44 x 1/6"	54
0298103	DN 25	21	18	36	52 x 1/6"	63
0298104	DN 32	21	18	42	58 x 1/6"	70
0298105	DN 40	21	18	49	65 x 1/6"	78
0298106	DN 50	22	19	62	78 x 1/6"	92
0298107	DN 65	25	21	80	95 x 1/6"	112
0298108	G 1/2	17	14	15	19 x 14	29
0298109	G 5/8	17	14	17	21 x 14	33
0298110	Cromer	17	14	16	21 x 10	33
0298111	G 3/4	17	14	18	24 x 14	35

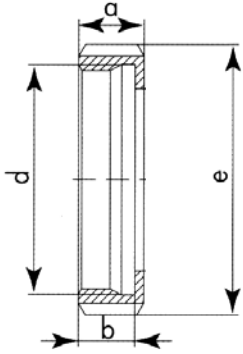
thread-nozzle 98010



- made of stainless steel
- milk-pipe-fitting
- according to DIN 11851 and DIN 228

Article-no.	execution	a	b	c	d
0298011	DN 10	21	10	13	28 x 1/8"
0298012	DN 15	21	16	19	34 x 1/8"
0298013	DN 20	24	20	23	44 x 1/6"
0298014	DN 25	29	26	29	52 x 1/6"
0298015	DN 32	32	32	35	58 x 1/6"
0298016	DN 40	33	38	41	65 x 1/6"
0298017	DN 50	35	50	53	78 x 1/6"
0298018	DN 65	40	66	70	95 x 1/6"
0298019	G 1/2	23	8	15	19 x 14
0298020	G 1/2	23	15	19	19 x 14
0298021	G 5/8	23	8	15	20 x 14
0298022	G 5/8	23	15	19	20 x 14
0298023	Cromer	23	8	15	21 x 10
0298024	Cromer	23	15	19	21 x 10
0298025	G 3/4	23	8	15	24 x 14
0298026	G 3/4	23	15	19	24 x 14

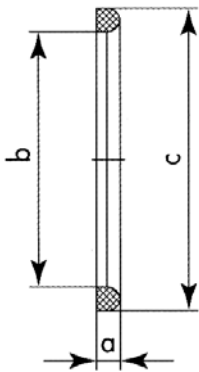
blind cap 97080



- made of stainless steel 1.4301
- pipe-thread according to DIN 228
- pipe-thread as hexagon-nut

Article-no.	execution	a	b	d	e
0297081	DN 10	18	15	28 x 1/8"	38
0297082	DN 15	18	15	34 x 1/8"	44
0297083	DN 20	20	17	44 x 1/6"	54
0297084	DN 25	21	18	52 x 1/6"	63
0297085	DN 32	21	18	58 x 1/6"	70
0297086	DN 40	21	18	65 x 1/6"	78
0297087	DN 50	22	19	78 x 1/6"	92
0297088	DN 65	25	21	95 x 1/6"	112
0297089	G 1/2			19 x 14	
0297090	G 5/8			21 x 14	
0297091	G 3/4			21 x 10	
0297092	Cromer			24 x 14	

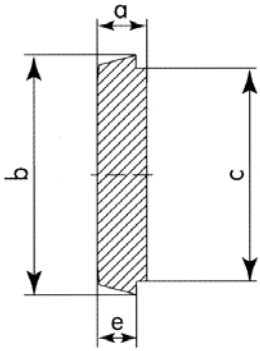
milk-pipe-fitting 1022



- seal according to DIN 11851
- half round
- material: NBR (blue)
- optional: EPDM, PTFE, Silicone

Article-no.	execution	a	b	c
0210221	DN 10	4,5	12	20
0210222	DN 15	4,5	18	26
0210223	DN 20	4,5	23	33
0210224	DN 25	5	30	40
0210225	DN 32	5	36	46
0210226	DN 40	5	42	52
0210227	DN 50	5	54	64
0210228	DN 65	5	71	81

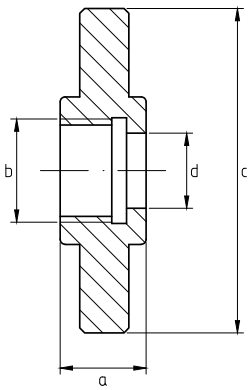
blind-cone-nozzle 97020



- made of stainless steel 304L
- massive execution

Article-no.	execution	a	b	c	e
0297021	DN 10	9	23	18	6
0297022	DN 15	9	29	24	6
0297023	DN 20	11	37	30	8
0297024	DN 25	13	44	35	10
0297025	DN 32	13	50	41	10
0297026	DN 40	13	56	48	10
0297027	DN 50	14	69	61	11
0297028	DN 65	16	86	79	12

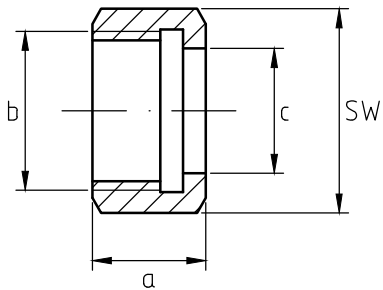
wing-nut 96570



- made of stainless steel 305L
- thread according to DIN 228

Article-no.	execution	a	b	c	d
0296571	G 1/2	18,0	G 1/2	16,0	66,0
0296572	G 5/8	18,0	G 5/8	16,0	66,0
0296573	G 3/4	18,0	G 3/4	16,0	66,0
0296574	Cromer (no norm)	18,0	Cromer	16,0	66,0

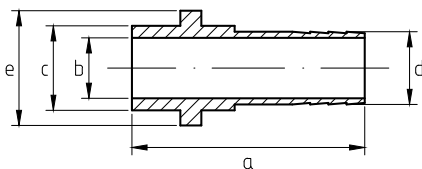
hexagon-nut 96550



- made of stainless steel 304L
- massive execution

Article-no.	execution	a	b	c	SW
0296551	G 1/2	17	18,5	16,5	27
0296552	G 5/8	17	21,0	16,0	27
0296553	G 3/4	17	24,5	16,0	30
0296554	Cromer	17	21,0	16,0	27
0296555	G 1	18	30,5		41
0296556	G 1 1/4	20			50
0296557	G 1 1/2	22			55
0296558	G 2	24			70

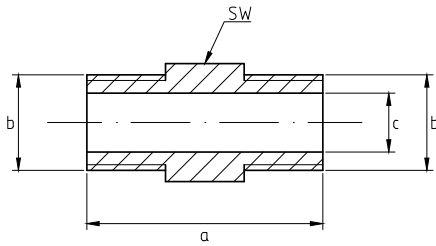
hose-nozzle 96540



- made of stainless steel or plated brass
- straight execution
- with molded seal (AD)
- curved execution on request

Article-no.	execution	a	b	c	d
0296541	Edelstahl (AD)	38,5	4	14	6
0296542	Edelstahl (AD)	38,5	7	14	9
0296543	Edelstahl (AD)	38,5	10	14	12
0296544	Edelstahl	38	4	13,5	6
0296545	Edelstahl	39	7	13,5	9
0296546	Edelstahl	39	10	13,5	12

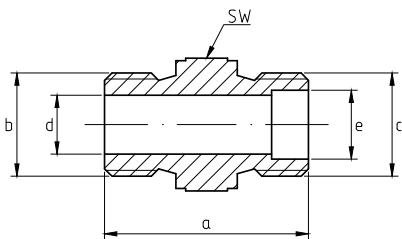
double-nipple 97050



- made of stainless steel 304L
- low-cost execution

Article-no.	execution	a	b	SW
0297051	G 1/8 / G 1/8	6	G 1/8	12
0297052	G 1/4 / G 1/4	8	G 1/4	14
0297053	G 3/8 / G 3/8	10	G 3/4	19
0297054	G 1/2 / G 1/2	15	G 1/2	24
0297055	G 3/4 / G 3/4	20	G 3/4	32
0297056	G 1 / G 1	25	G 1	38
0297057	G 1 1/4 / G 1 1/4	32	G 1 1/4	46
0297058	G 1 1/2 / G 1 1/2	40	G 1 1/2	55
0297059	G 2 / G 2	50	G 2	65

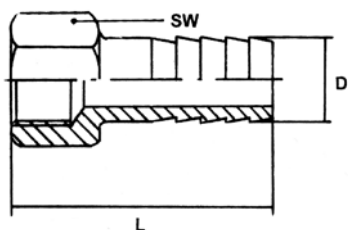
double-nipple 97060



- made of stainless steel 304L
- execution: 2 x male thread
- with drilling: 14,5 mm

Article-no.	execution	a	b	c	d	e	SW
0297061	G 1/2 x G 5/8	36,0	G 1/2	G 5/8	12,0	14,5	27
0297062	G 1/2 x Cromer	36,0	G 1/2	Cromer	12,0	14,5	27
0297063	G 5/8 x Cromer	36,0	G 5/8	Cromer	14,5	-	27
0297064	G 3/4 x G 1/2	36,0	G 3/4	G 1/2	12,0	14,5	30
0297065	G 3/4 x G 5/8	36,0	G 3/4	G 5/8	14,5	-	30
0297066	G 3/4 x Cromer	36,0	G 3/4	Cromer	14,5	-	30
0297067	G 1/2 x G 1/2	36,0	G 1/2	G 1/2	12,0	-	30
0297068	G 5/8 x G 5/8	36,0	G 5/8	G 5/8	14,5	14,5	27
0297069	G 3/4 x G 3/4	36,0	G 3/4	G 3/4	14,5	-	27
0297071	Cromer x Cromer	36,0	Cromer	Cromer	14,5	-	30

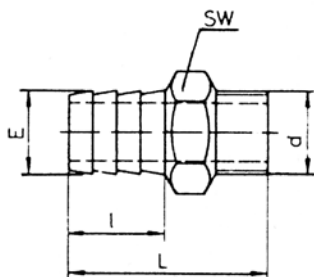
hexagon hose-nozzle 96580



- made of stainless steel 304L
- execution with female thread

Article-no.	Execution	NW	L	SW	D
0296581	G 1/8	6	39	15	6,50
0296582	G 1/4	8	42	19	6,30
0296583	G 3/8	10	53	22	9,50
0296584	G 1/2	15	62	27	12,70
0296585	G 3/4	20	64	32	19,00
0296586	G 1	25	66	38	25,40
0296587	G 1 1/4	32	74	50	31,80
0296588	G 1 1/2	40	88	56	38,10
0296589	G 2	50	95	68	50,80

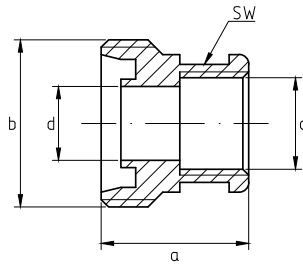
hexagon hose-nozzle 96590



- made of stainless steel 304L
- execution with male thread

Article-no.	execution	NW	L	SW	D
0296591	G 1/8	6	50	14	7
0296592	G 1/4	8	50	14	9
0296593	G 3/8	10	53	19	11
0296594	G 1/2	15	65	22	14
0296595	G 3/4	20	70	30	20
0296596	G 1	25	75	36	25
0296597	G 1 1/4	32	80	46	33
0296598	G 1 1/2	40	95	50	39
0296599	G 2	50	100	60	51

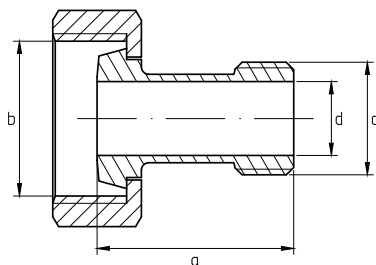
adapter parts



- made of stainless steel 304L
- male thread milk-pipe DIN 11851
to female thread pipe thread DIN 228

Article-no.	Execution	a	b	c	d
0296840	DN 15 – G 1/2	30	0,15	G 1/2	15
0296841	DN 15 – G 5/8	30	0,15	G 5/8	15
0296842	DN 15 - Cromer	30	0,15	Cromer	15

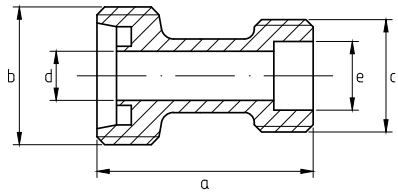
adapter parts



- made of stainless steel 304L
- cone nut milk-pipe-thread DIN 11851
to male thread pipe-thread DIN 228

Article-no.	Execution	a	b	c	d
0296640	DN 10 – G 1/2	40	DN 10	G 1/2	10
0296641	DN 10 – G 5/8	40	DN 10	G 5/8	10
0296642	DN 10 – Cromer	40	DN 10	Cromer	10
0296643	DN 10 – G 3/4	40	DN 10	G 3/4	10
0296650	DN 15 – G 1/2	40	DN 15	G 1/2	16
0296651	DN 15 – G 5/8	40	DN 15	G 5/8	16
0296652	DN 15 - Cromer	40	DN 15	Cromer	16
0296653	DN 15 – G 3/4	40	DN 15	G 3/4	16
0296660	DN 25 – G 1/2	45	DN 25	G 1/2	16
0296661	DN 25 – G 5/8	45	DN 25	G 5/8	16
0296662	DN 25 - Cromer	45	DN 25	Cromer	16
0296663	DN 25 – G 3/4	45	DN 25	G 3/4	16
0296670	DN 32 – G 1/2	48	DN 32	G 1/2	16
0296671	DN 32 – G 5/8	48	DN 32	G 5/8	16
0296672	DN 32 – Cromer	48	DN 32	Cromer	16
0296673	DN 32 – G 3/4	48	DN 32	G 3/4	16

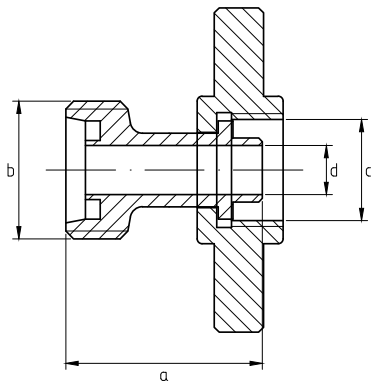
adapter parts



- made of stainless steel 304L
- male thread milk-pipe DIN 11851
- to male thread pipe thread DIN 228

Article-no.	Execution	a	b	c	d	e
0296680	DN 10 – G 1/2	44	DN 10	G 1/2	10	14,5
0296681	DN 10 – G 5/8	44	DN 10	G 5/8	10	14,5
0296682	DN 10 – Cromer	44	DN 10	Cromer	10	14,5
0296683	DN 10 – G 3/4	44	DN 10	G 3/4	10	14,5
0296690	DN 15 – G 1/2	44	DN 15	G 1/2	15	-
0296691	DN 15 – G 5/8	44	DN 15	G 5/8	15	-
0296692	DN 15 - Cromer	44	DN 15	Cromer	15	-
0296693	DN 15 – G 3/4	44	DN 15	G 3/4	15	-
0296700	DN 25 – G 1/2	49	DN 25	G 1/2	15	-
0296701	DN 25 – G 5/8	49	DN 25	G 5/8	15	-
0296702	DN 25 - Cromer	49	DN 25	Cromer	15	-
0296703	DN 25 – G 3/4	49	DN 25	G 3/4	15	-
0296710	DN 32 – G 1/2	50	DN 32	G 1/2	15	-
0296711	DN 32 – G 5/8	50	DN 32	G 5/8	15	-
0296712	DN 32 – Cromer	50	DN 32	Cromer	15	-
0296713	DN 32 – G 3/4	50	DN 32	G 3/4	15	-

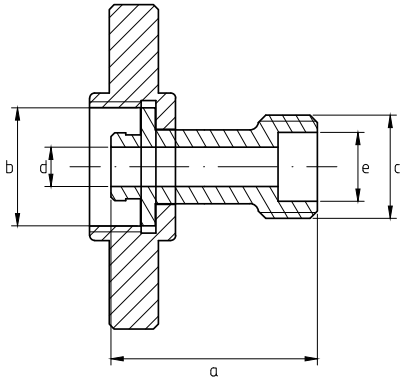
adapter parts



- made of stainless steel 304L
- male thread milk-pipe-thread DIN 11851
- to wing nut pipe-thread DIN 228

Article-no.	Execution	a	b	c	d
0296720	DN 10 – G 1/2	40	DN 10	G 1/2	10
0296721	DN 10 – G 5/8	40	DN 10	G 5/8	10
0296722	DN 10 – Cromer	40	DN 10	Cromer	10
0296723	DN 10 – G 3/4	40	DN 10	G 3/4	10
0296730	DN 15 – G 1/2	43	DN 15	G 1/2	10
0296731	DN 15 – G 5/8	43	DN 15	G 5/8	10
0296732	DN 15 - Cromer	43	DN 15	Cromer	10
0296733	DN 15 – G 3/4	43	DN 15	G 3/4	10
0296740	DN 25 – G 1/2	48	DN 25	G 1/2	10
0296741	DN 25 – G 5/8	48	DN 25	G 5/8	10
0296742	DN 25 - Cromer	48	DN 25	Cromer	10
0296743	DN 25 – G 3/4	48	DN 25	G 3/4	10
0296750	DN 32 – G 1/2	48	DN 32	G 1/2	10
0296751	DN 32 – G 5/8	48	DN 32	G 5/8	10
0296752	DN 32 – Cromer	48	DN 32	Cromer	10
0296753	DN 32 – G 3/4	48	DN 32	G 3/4	10

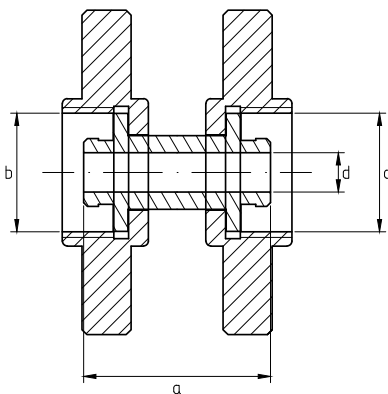
adapter parts



- made of stainless steel 304L
- wing nut pipe-thread DIN 228
- to male thread pipe thread DIN 228

Article-no.	Execution	a	b	c	d	e
0296760	G 1/2 – G 1/2	42	G 1/2	G 1/2	9	14,5
0296761	G 1/2 – G 5/8	42	G 1/2	G 5/8	9	14,5
0296762	G 1/2 - Cromer	42	G 1/2	Cromer	9	14,5
0296763	G 1/2 – G 3/4	42	G 1/2	G 3/4	9	14,5
0296770	G 5/8 – G 1/2	42	G 5/8	G 1/2	9	14,5
0296771	G 5/8 – G 5/8	42	G 5/8	G 5/8	9	14,5
0296772	G 5/8 - Cromer	42	G 5/8	Cromer	9	14,5
0296773	G 5/8 – G 3/4	42	G 5/8	G 3/4	9	14,5
0296780	Cromer – G 1/2	42	Cromer	G 1/2	9	14,5
0296781	Cromer – G 5/8	42	Cromer	G 5/8	9	14,5
0296782	Cromer - Cromer	42	Cromer	Cromer	9	14,5
0296783	Cromer – G 3/4	42	Cromer	G 3/4	9	14,5
0296790	G 3/4 – G 1/2	42	G 3/4	G 1/2	9	14,5
0296791	G 3/4 – G 5/8	42	G 3/4	G 5/8	9	14,5
0296792	G 3/4 - Cromer	42	G 3/4	Cromer	9	14,5
0296793	G 3/4 – G 3/4	42	G 3/4	G 3/4	9	14,5

adapter parts



- made of stainless steel 304L
- wing nut pipe-thread DIN 228
- to wing nut pipe-thread DIN 228

Article-no.	Execution	a	b	c	d
0296800	G 1/2 – G 1/2	38	G 1/2	G 1/2	9
0296801	G 1/2 – G 5/8	38	G 1/2	G 5/8	9
0296802	G 1/2 - Cromer	38	G 1/2	Cromer	9
0296803	G 1/2 – G 3/4	38	G 1/2	G 3/4	9
0296810	G 5/8 – G 5/8	38	G 5/8	G 5/8	9
0296811	G 5/8 - Cromer	38	G 5/8	Cromer	9
0296812	G 5/8 – G 3/4	38	G 5/8	G 3/4	9
0296820	Cromer - Cromer	38	Cromer	Cromer	9
0296821	Cromer – G 3/4	38	Cromer	G 3/4	9
0296830	G 3/4 – G 3/4	38	G 3/4	G 3/4	9

hook wrenk



- made of stainless steel
- link-key with handle

Article-no.	outer diameter key nut	suitable for
0297090	35 – 60 mm	DN 10, DN 15, DN 20
0297091	60 – 90 mm	DN 25, DN 32, DN 40
0297092	90 – 155 mm	DN 50, DN 65, DN 80, DN 100
0297093	155 – 230 mm	DN 125, DN 150